

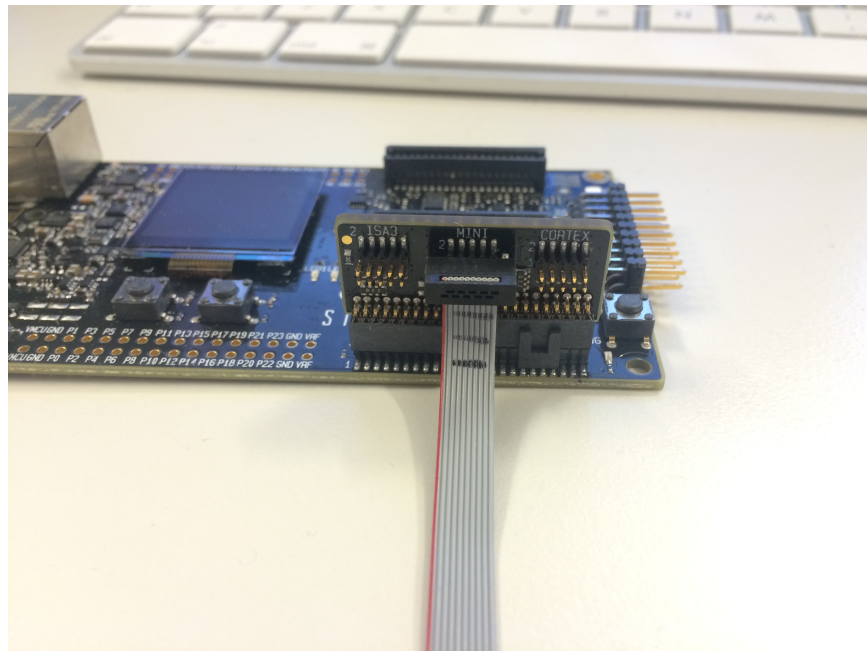
# AN958: Debugging and Programming Interfaces for Custom Designs

The Silicon Labs MCU and Wireless Starter Kits and Simplicity Studio provide a powerful development and debug environment.

In order to take advantage of these capabilities and features on custom hardware, Silicon Labs recommends including debugging and programming interface connector(s) in custom hardware designs. Possible options include full support of all debugging and programming capabilities of the STK, to serial wire programming only. This application note describes the benefits of including these connector interfaces in custom hardware designs and provides the details regarding these interfaces.

## KEY POINTS

- Wireless starter kits along with Simplicity Studio provide a powerful development and debug environment
- Use the debugging and programming interface connector(s) to take advantage of these capabilities



Simplicity Debug Adapter Board

## 1. Device Compatibility

This application note supports multiple device families, and some functionality is different depending on the device.

- 32-bit MCUs
- 8-bit MCUs
- 32-bit Wireless MCUs
- 32-bit Wireless Gecko Modules

## 2. Background

The Silicon Labs MCU Starter Kit (STK) and Wireless Starter Kit (WSTK) provide a powerful development and debug environment when used with Simplicity Studio. The STK and WSTK provide several debug capabilities and features, including the following:

- SWD (serial wire debug)
  - 2-pin serial wire debug interface for programming and debugging, using the pins SWCLK and SWDIO.
- JTAG
  - 4-wire interface for programming and debugging, using the pins TCK, TMS, TDI, and TDO.
- C2 interface (for 8-bit devices)
  - 2-wire programming interface used by most Silicon Labs 8-bit MCUs.
  - See "AN124: Pin Sharing Techniques for the C2 Interface", which discusses pin sharing for C2 devices.
- ETM\* (embedded trace macrocell)
  - Debug component which enables reconstruction of program execution, and is designed as a high-speed, low-power debug tool that only supports instruction trace.
- AEM (advanced energy monitoring)
  - Accurate high-speed current measurements and energy debugging/profiling when the STK/WSTK power selection switch is in the AEM position. Use with Simplicity Studio Energy Profiler perspective.
- PTI (packet trace interface [WSTK only])
  - Physical layer (PHY) level PTI for effective network-level debugging. Monitors all the PHY transmit and receive packets between the MAC and baseband modules within the radio without affecting normal operation.
- VCOM (virtual COM port)
  - UART COM port interface to the target from the debugger (pass-through UART).
- Virtual UART
  - SWD-based virtual UART interface to the target from the debugger, available through the SWD interface (SWDIO, SWCLK, and SWO).

These features are available via several different interface means, depending on the features required by the custom target hardware design and the board space available for these interface connectors or test points. These details are discussed in the following sections.

### Note:

1. The STK and WSTK support ETM only when using an external debugger which supports ETM Capture. The STK and WSTK do not include an ETM capture unit. Only devices that have an ETM macrocell will support ETM capture, regardless of the debugger capabilities. Consult the corresponding MCU or Wireless device data sheet for details regarding whether ETM is supported on the device. Silicon Labs MCU and Wireless Development Kits may include support for ETM. Consult the kit documentation for further details.
2. To ensure that the STK and WSTK properly recognize the connected target device, go to the target adapter in the "Debug Adapters" list in Simplicity Studio, right-click on the target adapter, select "Device Configuration", select the "Device Hardware" tab, and enter the full part number of the external device target under "Target Part".

### 3. Interface Feature Mapping

The table below summarizes the capabilities and features of the various interfaces described in the following sections. Click on the column header hyperlinks to go directly to the section describing each specific interface.

**Table 3.1. Interface Capabilities and Features**

Feature	20-pin Standard ARM Cortex Debug+ETM Connector	20-pin Simplicity Connector	Simplicity Debug Adapter Board Interfaces (Standard or Tag-Connect 10-pin cable)			Tag-Connect 6-pin Interface
			Mini Simplicity Connector	Cortex Debug Connector	ISA3 Packet Trace Port Connector	
SWD (serial wire debug)	X		X	X	X	X
JTAG	X			X	X	
C2	X			X		
ETM (embedded trace module)	X					
AEM (advanced energy monitoring)		X	X			
PTI (packet trace interface)		X	X		X	
VCOM (virtual COM port)		X	X			
Virtual UART	X		X	X	X	X

## 4. Connector Interfaces

This section presents the standard debug connector interfaces provided by the STK and WSTK, as well as recommendations for including connector interfaces on custom target hardware designs in order to utilize these debug capabilities and features.

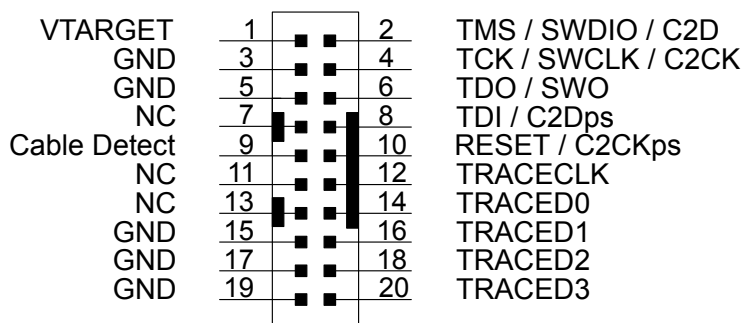
### 4.1 Standard ARM Cortex Debug+ETM Connector

In cases where ETM and/or JTAG debug capabilities and features are required on custom target hardware, a 20-pin (2x10, 1.27 mm pitch) standard ARM Cortex Debug+ETM Connector (similar to Sullins™ part number GRPB102VWQS) should be included in the design. A 20-pin 2x10 1.27 mm pitch ribbon cable (similar to Samtec™ part number FFSD-10-D-6.00-01-N) is required for the connection between the WSTK debug connector and the custom target hardware board connector.

**Note:** Silicon Labs deviates slightly from the ARM standard, as this version of the connector includes the key pin.

#### 4.1.1 Connector Pin-Out

A pin-out for this debug connector interface is provided in the figure and table below. If ETM and/or JTAG are not required, see [5. Alternative Interfaces](#) for other debug interface options to include on target hardware designs.



**Figure 4.1. Debug Connector**

Table 4.1. Debug Connector Pin Descriptions

Pin Number(s)	Function	Note
1	VTARGET	Reference voltage on the target application. Used for shifting logical signal levels between target and debugger.
2	TMS / SDWIO / C2D	JTAG test mode select, Serial Wire data or C2 data
4	TCK / SWCLK / C2CK	JTAG test clock, Serial Wire clock or C2 clock
6	TDO/SWO	JTAG test data out or Serial Wire Output
8	TDI / C2Dps	JTAG test data in, or C2D "pin sharing" function <sup>1</sup>
10	RESET / C2CKps	Target device reset, or C2CK "pin sharing" function
12	TRACECLK	Not connected
14	TRACED0	Not connected
16	TRACED1	Not connected
18	TRACED2	Not connected
20	TRACED3	Not connected
9	Cable detect	Connect to ground
11, 13	NC	Not connected
3, 5, 15, 17, 19	GND	

**Note:**

1. See "AN124: Pin Sharing Techniques for the C2 Interface", which discusses pin sharing for C2 devices.

**4.1.2 Connector Footprint**

An example component footprint is from Sullins for part number GRPB102VWQS. Refer to [http://www.sullinscorp.com/catalogs/82\\_PAGE90-91\\_050\\_MALE\\_HDR\\_ST\\_RA\\_SMT.pdf](http://www.sullinscorp.com/catalogs/82_PAGE90-91_050_MALE_HDR_ST_RA_SMT.pdf) for details on this connector footprint for the custom target hardware PCB.

**4.2 20-pin Simplicity Connector**

If AEM, PTI, and VCOM functionality are desired, include the 20-pin (2x10, 1.27 mm pitch) Simplicity Connector (similar to Sullins part number GRPB102VWQS) on the target hardware design. A 20-pin 2 x 10 1.27 mm pitch ribbon cable (similar to Samtec part number FFSD-10-D-6.00-01-N) is required for this connection between WSTK Simplicity connector and the custom target hardware board connector. If space constraints do not allow inclusion of this connector on the target hardware design, see 5. [Alternative Interfaces](#) for smaller interfaces which provide similar debug features.

### 4.2.1 Connector Pin-Out

A pin-out for this Simplicity Connector interface is provided in the figure and table below.

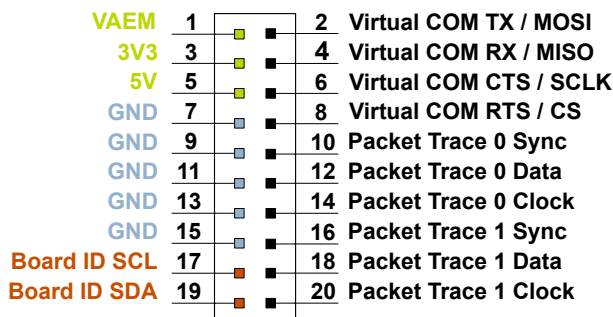


Figure 4.2. Simplicity Connector

Table 4.2. Simplicity Connector Pin Descriptions

Pin Number(s)	Function	Note
1	VAEM	3.3 V power rail, monitored by the AEM
3	3V3	3.3 V power rail
5	5V	5 V power rail
2	VCOM_TX_MOSI	Virtual COM Tx/MOSI
4	VCOM_RX_MISO	Virtual COM Rx/MISO
6	VCOM_CTS_#SCLK	Virtual COM CTS/SCLK
8	VCOM_#RTS_#CS	Virtual COM RTS/CS
10	PTI0_SYNC	Packet Trace 0 Sync
12	PTI0_DATA	Packet Trace 0 Data
14	PTI0_CLK	Packet Trace 0 Clock
16	PTI1_SYNC	Packet Trace 1 Sync
18	PTI1_DATA	Packet Trace 1 Data
20	PTI1_CLK	Packet Trace 1 Clock
17	EXT_ID_SCL	Board ID SCL
19	EXT_ID_SDA	Board ID SDA
7, 9, 11, 13, 15	GND	

**Note:** Packet Trace 0 should be the default packet trace port selection. Packet Trace 1 is reserved for implementations which include more than one radio on the same IC.

### 4.2.2 Connector Footprint

An example component footprint is from Sullins for part number GRPB102VWQS. Refer to [http://www.sullinscorp.com/catalogs/82\\_PAGE90-91\\_050\\_MALE\\_HDR\\_ST\\_RA\\_SMT.pdf](http://www.sullinscorp.com/catalogs/82_PAGE90-91_050_MALE_HDR_ST_RA_SMT.pdf) for details on this connector footprint for the custom target hardware PCB.

## 5. Alternative Interfaces

In addition to the standard connector interfaces provided with the STK and WSTK, there are some alternative interfaces that are available, depending on debug needs and available space. The following sections outline these alternative interfaces.

### 5.1 Simplicity Debug Adapter Board Interfaces

The Simplicity Debug Adapter Board, when plugged into the two 20-pin connectors of the STK or WSTK, remaps these interfaces to provide a sub-set of debug capabilities and features through a smaller form-factor connector interface. The Simplicity Debug Adapter Board is available standalone with a 15 cm (6 inch) cable as orderable part number SLSDA001A.

For space constrained designs, Silicon Labs recommends the Mini-Simplicity Connector, a 10-pin (2×5) small form-factor (1.27 mm pitch, 3.05 mm pin length) header connector (similar to Samtec part number FTSH-105-01-L-DV-K), on the custom hardware design. This will mate with the standard 10-pin ribbon cable (Samtec part number FFSD-05-D-6.00-01-N) included in the SLSDA001A kit, connecting to the Mini Simplicity Interface Connector on the Simplicity Debug Adapter Board. To order the board, see [Simplicity Debug Adapter Board](#).

**Note:** ETM and JTAG functionality are not supported with this interface and are therefore only available via the 20-pin Debug Connector. Alternatively, JTAG is available via the Cortex port of the Simplicity Debug Adapter Board, which follows the standard 10-pin ARM Cortex pin-out, as stated in Section [5.1.2 Connector Pin-Out \(Cortex\)](#).

With the use of the Simplicity Debug Adapter Board plugged into these two 20-pin connectors, a 10-pin connector interface is exposed (see mini connector in the right-hand image in the figure below), which provides a subset of debug capabilities and features in a standardized small form-factor connector. These capabilities include the following:

- SWD (Serial Wire Debug, including SWO)
- AEM (advanced energy monitoring)
- PTI (packet trace interface [WSTK only])
- VCOM (virtual COM port)

The figure below shows the Simplicity Debug Adapter Board.

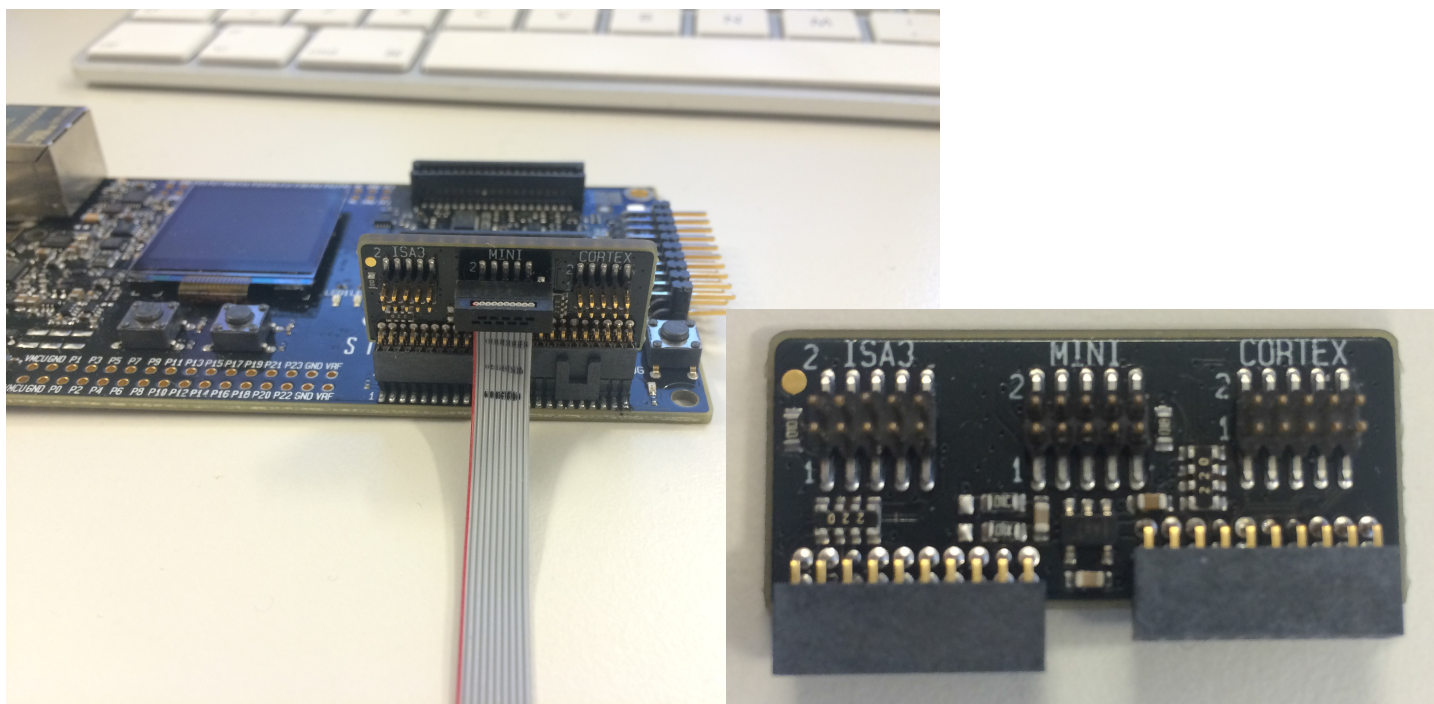


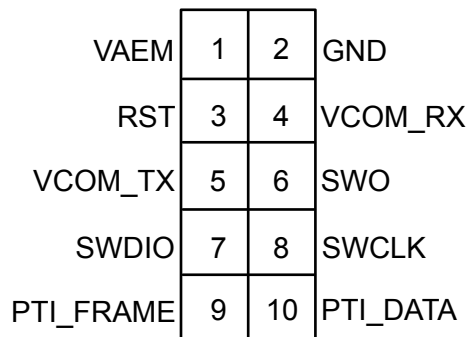
Figure 5.1. Simplicity Debug Adapter Board

In order to take advantage of these capabilities and features, Silicon Labs recommends including the Mini Simplicity Connector in the custom hardware design. Alternatively, if only serial wire / JTAG programming and debug capabilities are desired, a standard 10-pin ARM Cortex programming interface is available through the Cortex port of the Simplicity Debug Adapter Board.



### 5.1.1 Connector Pin-Out (MINI)

The figure below shows the pin-out for this 10-pin Mini Simplicity connector, while table below lists the pin functions associated with this pin-out.



**Figure 5.2. Mini Simplicity Connector Pin-Out**

**Table 5.1. Mini Simplicity Connector Pin Function**

Pin #	Pin Name	Pin Function	EFR32 Functionality
1	VAEM	Target Advanced Energy Monitor Voltage Net	VDD
2	GND	Target Ground	VSS
3	RST	Target Reset (Active Low)	RESETn
4	VCOM_RX	Target Pass-through UART/Virtual COM Port Receive	US0_RX
5	VCOM_TX	Target Pass-through UART/Virtual COM Port Transmit	US0_TX
6	SWO	Target Serial Wire Output	SWO
7	SWDIO	Target Serial Wire Data Input/Output	SWDIO
8	SWCLK	Target Serial Wire Clock	SWCLK
9	PTI_FRAME	Target Packet Trace Interface Frame Signal	FRC_DFRAME
10	PTI_DATA	Target Packet Trace Interface Data Signal	FRC_DOUT

**Note:** Mini Simplicity Connector pin-out is referenced from the device target side.

**Note:** The power switch on the WSTK main board determines whether the WSTK VAEM pin sources current to the target. When this power switch is set to the “AEM” position, the WSTK is connecting VAEM to the target and monitoring current of the external target using AEM. If the target board requires external power supply, the power switch of the WSTK should be set to the “BAT” position, disconnecting the on-board regulator and AEM circuits.

### 5.1.2 Connector Pin-Out (Cortex)

The figure below shows the pin-out for this 10-pin standard ARM Cortex Debug Connector from the Simplicity Debug Adapter Board, while the table below lists the pin functions associated with this pin-out.

**Note:** Silicon Labs deviates from the ARM standard for this connector by not including the key pin.

VTARGET	1	2	SWDIO/TMS/C2D
GND	3	4	SWCLK/TCK/C2CK
GND	5	6	SWO/TDO
KEY	7	8	NC/TDI/C2Dps
GNDDetect	9	10	nRESET/C2CKps

**Figure 5.3. 10-pin Standard ARM Cortex Connector Pin-Out**

**Table 5.2. 10-pin Standard ARM Cortex Connector Pin Descriptions**

Pin Number	Pin Name
1	VTARGET
2	SWDIO/TMS/C2D
3	GND
4	SWCLK/TCK/C2CK
5	GND
6	SWO/TDO
7	KEY
8	NC/TDI/C2Dps
9	GNDDetect
10	nRESET/C2CKps

**Note:** Care should be taken when using the debug adapter (BRD8010A) and the cortex connector as it connects the VTARGET pin (pin 1) to the VMCU net of the WSTK in debug mode OUT. For the VTARGET pin to work as a "sensing" pin, the power switch of the WSTK main board should be set to the "BAT" position, disconnecting the on-board regulator and AEM circuits. In this scenario, the target board requires external power supply.

### 5.1.3 Connector Pin-Out (ISA3)

This interface allows a WSTK to interface with existing EM3x wireless products, which include the 10-pin Packet Trace connector footprint.

### 5.1.4 Connector Part Numbers

The table below lists examples of connectors that can be placed on the customer design for this connector.

**Table 5.3. Example Connector Part Numbers**

Manufacturer	Manufacturer PN	Notes
Samtec	FTSH-105-01-L	—
Samtec	FTSH-105-01-L-DV	Add –K for keying shroud
Samtec	FTSH-105-01-L-DH	Right-angle
Samtec	FTSH-105-01-L-D-K	Through hole, add –K for keying shroud
Samtec	FTSH-105-01-L-D-R	Through hole, right-angle

### 5.1.5 Connector Footprint

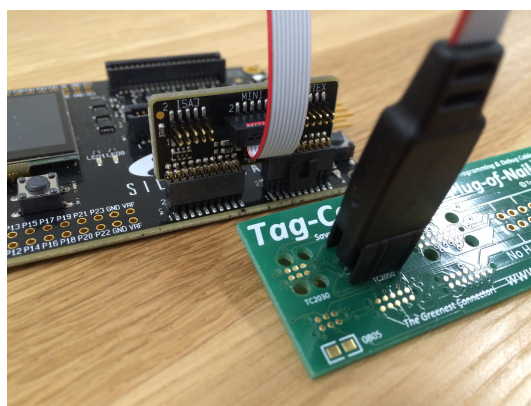
For the recommended connector footprint, refer to the manufacturer specifications and recommendations in the applicable connector part data sheet.

## 5.2 Tag-Connect™ 10-pin Interface

If the same capabilities of the of the Simplicity Debug Adapter Board interface (either through MINI or CORTEX port of the Simplicity Debug Adapter Board) are desired but the design is space constrained, a Tag-Connect™ 10-pin interface is a possible alternative. This interface maintains the 10-pin feature set and uses the same Simplicity Adapter Board, as noted in [5.1 Simplicity Debug Adapter Board Interfaces](#). This interface also uses a different cable (either TC2050-IDC-NL-050-ALL or TC2050-ICD-050-ALL) and utilizes a smaller footprint area on the custom target hardware board, given the lack of a connector required on the target hardware design. The NL version has no legs, while the standard version includes legs for locking the cable into place on the PCB. For additional details on the interface cable required for interfacing to the target hardware design for this option, see <http://www.tag-connect.com/TC2050-IDC-050-ALL> or <http://www.tag-connect.com/TC2050-IDC-NL-050-ALL>.



**Figure 5.4. TC2050-IDC-NL-050-ALL Cable**



**Figure 5.5. TC2050-IDC-050-ALL Cable**

### 5.2.1 Interface Pin-Out

The pin-out for this interface is identical to the ones listed in [Table 5.1 Mini Simplicity Connector Pin Function](#) on page 9 or [Table 5.2 10-pin Standard ARM Cortex Connector Pin Descriptions](#) on page 10.

## 5.2.2 Interface Footprint

The footprint details for this interface on the custom target hardware board side can be found at <http://www.tag-connect.com/Materials/TC2050-IDC%20Datasheet.pdf> or <http://www.tag-connect.com/Materials/TC2050-IDC-NL%20Datasheet.pdf>.

**Note:** The pinout noted in Section 5.2.1 [Interface Pin-Out](#) is one-for-one in the schematic implementation, but the PCB footprint pin numbering generally differs from the mini-simplicity connector and between Tag-Connect part numbers. Always consult the Tag-Connect documentation for the correct PCB footprint layout and pin numbering for the Tag-Connect part number intended.

## 5.3 Tag-Connect 6-pin Interface

If only a serial wire programming and debug interface is desired on the target hardware design, or space constraints prevent adding larger interfaces, a Tag-Connect 6-pin interface is a possible solution. This interface is similar to the Tag-Connect 10-pin interface but connects to the 20-pin Standard ARM Cortex Debug Connector directly and provides only 6-pins for serial wire debug capabilities only. The cable part numbers are TC2030-CTX-20-NL and TC2030-CTX-20. The NL version has no legs, while the standard version include legs for locking the cable into place on the PCB. For additional details on these cables, see <http://www.tag-connect.com/TC2030-CTX-20> and <http://www.tag-connect.com/TC2030-CTX-20-NL>.

**Note:** VTARGET is included in the 6-pin interface to provide the correct logic signal level reference from the target hardware design to the debugger and is not a power source pin from the debugger. Because VAEM is not included on the ARM Cortex Debug Connector, the Tag-Connect 6-pin interface assumes VDD is supplied to the target hardware design by an alternate interface.

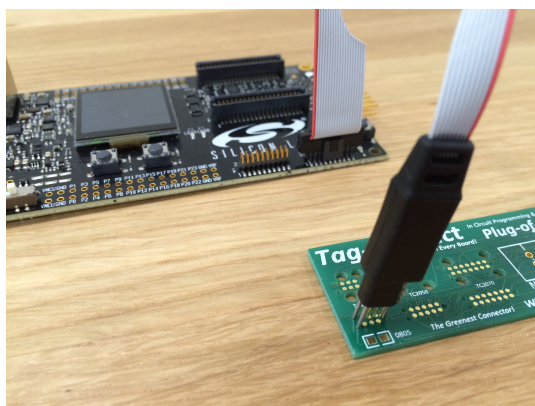


Figure 5.6. TC2030-CTX-20-NL Cable

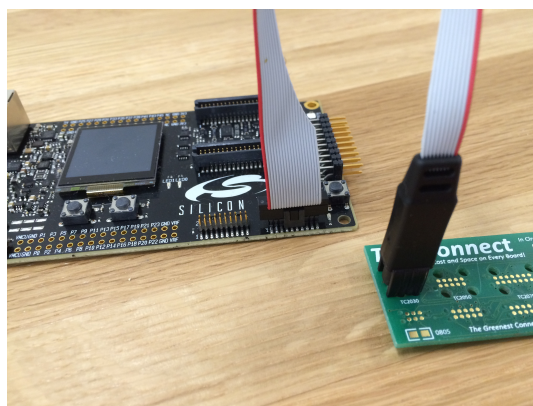
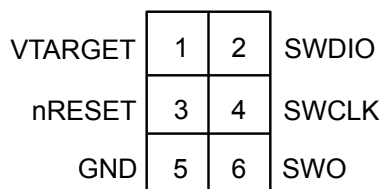


Figure 5.7. TC2030-CTX-20 Cable

### 5.3.1 Interface Pin-Out

The figure and table below show the pin-out and descriptions for this interface.



**Figure 5.8. 6-pin Interface Pin-Out**

**Table 5.4. Pin Descriptions**

Pin	Function
1	VTARGET
2	SWDIO
3	nRESET
4	SWCLK
5	GND
6	SWO

### 5.3.2 Interface Footprint

The footprint details for this interface to be placed on the custom target hardware board can be found at <http://www.tag-connect.com/Materials/TC2030-IDC.pdf> and <http://www.tag-connect.com/Materials/TC2030-IDC-NL.pdf>.

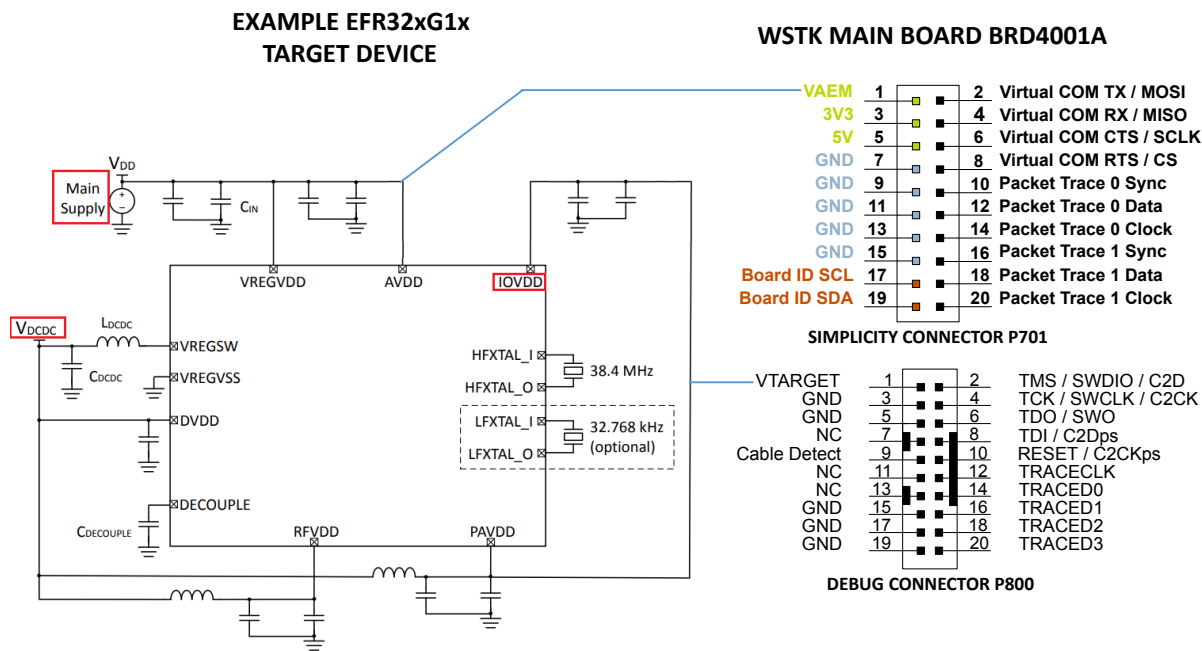
**Note:** The pinout noted in Section 5.3.1 *Interface Pin-Out* is one-for-one in the schematic implementation, but the PCB footprint pin numbering generally differs from the mini-simplicity connector and between Tag-Connect part numbers. Always consult the Tag-Connect documentation for the correct PCB footprint layout and pin numbering for the Tag-Connect part number intended.

## 6. Special Considerations

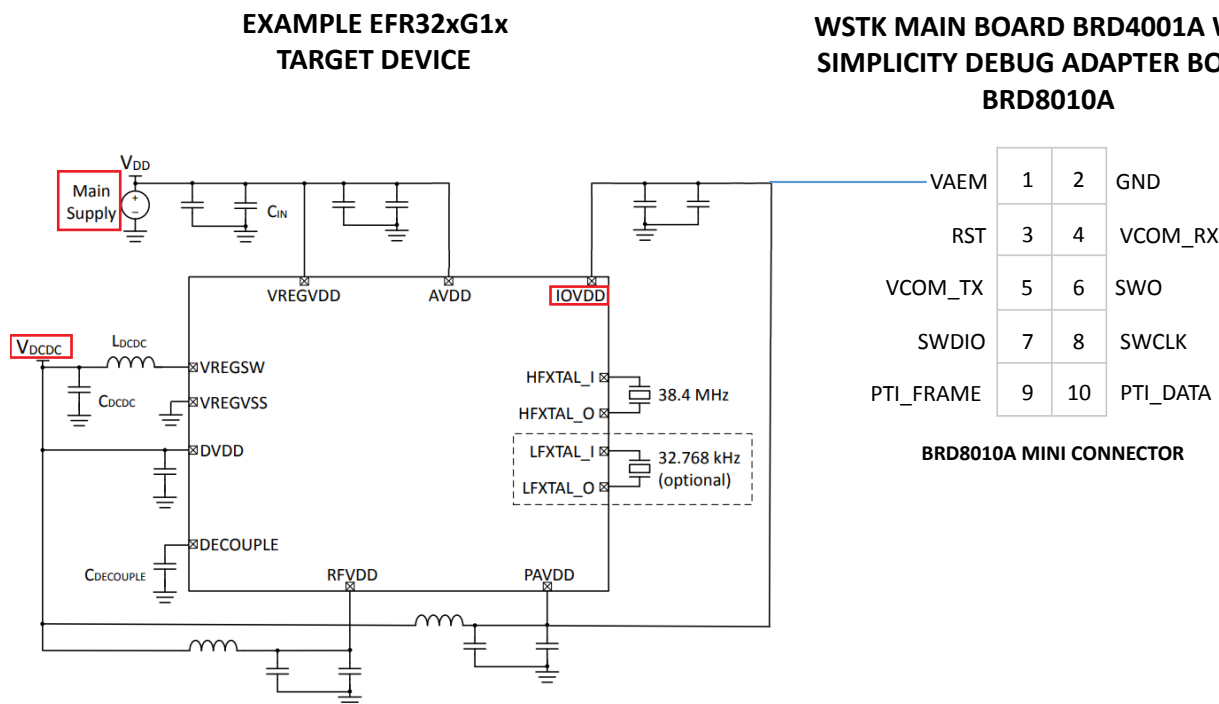
### 6.1 IOVDD < Main Supply Voltage

In cases where IOVDD is less than the main supply voltage on the target hardware (for example, IOVDD at 1.8 V and main supply at 3.3 V), care needs to be taken when interfacing to the STK or WSTK main board to ensure proper logic levels of the GPIO between target and debugger.

- When both the 20-pin Simplicity Connector and ARM Cortex Debug+ETM Connector are connected to the target hardware
  - IOVDD should be connected to the VTARGET net of the debug connector. The target main supply voltage net (VMCU - AVDD, VREGVDD) should be connected to the VAEM net of the Simplicity Connector (Pin 1). This ensures that the reference voltage for the target debug interface signals is correct. In this scenario, if supplying voltage from the WSTK main board BRD4001A with target voltage select switch in AEM position, current measurements will be roughly 50–100  $\mu\text{A}$  higher than normal due to powering of the WSTK main board BRD4001A level shifters.



- When using the Simplicity Debug Adapter Board BRD4001A for some of the alternative interfaces detailed in 5. [Alternative Interfaces](#)
  - Only the VAEM net is available and VTARGET is buffered from VAEM. In this case, the target IOVDD net needs to be connected to the Simplicity Debug Adapter Board BRD4001A VAEM net (Pin 1) to ensure that the WSTK main board BRD4001A level shifters work properly, and there will be no target main supply connection to the Simplicity Debug Adapter Board. Also, in this mode, the target power select switch needs to be set to BAT.



**Note:**

- For EFR32 series 1 devices (EFR32xG1x), the reset pin is internally pulled up to AVDD using an internal 40-43 k ohm resistor. For EFR32 series 2 devices (EFR32xG2x), the reset pin is internally pulled up to DVDD using an internal 44k ohm resistor, and customers should connect IOVDD and DVDD to the same supply in order to avoid unexpected debugger problems due to voltage differences between reset pin and GPIO pins.
- For EFR32 series 1 devices EFR32xG12 and later, the DCDC defaults to a disconnected state out of reset (rather than the bypass mode state for EFR32xG1 devices). See [AN0948](#) sections 3.3 and 3.4 and the EFR32xGx reference manual Energy Management Unit (EMU) section for additional details. This is important to keep in mind for customers connecting the DCDC output to IOVDD in that they will be unable to program the devices, as the SWD pins will be floating and unpowered. An external supply connection to the IOVDD net would be required for initial programming in this configuration. Therefore, it is recommended to use caution when connecting IOVDD to the DCDC output of the EFR32xG12 and later variants.

**6.2 Network Co-Processor (NCP)**

When the target hardware is a wireless network co-processor (NCP), care should be taken to ensure that the VCOM interface to the WSTK debugger does not utilize the same pins selected for the NCP interface (either SPI or UART), as this may cause contention of either the NCP operation or the VCOM serial port operation. If the VCOM interface is desired for test purposes and the same pins are selected for the NCP interface, such as for a QFN32 package or otherwise GPIO-constrained devices, series 0 Ω resistors are recommended in-line with the VCOM connection to the debugger (to be depopulated when the NCP application is running). This ensures no contention of NCP operation when the debugger is connected to the target device. Conversely, when running test applications such as Nodetest, RAILtest or Manufacturing Library, the Host connections to the NCP may conflict with the UART/VCOM signals, thereby not allowing the test application to properly function. In these situations, the best method may be to route (in layout) the resistor footprints to allow a connection between the EFR32 and the Host, or between the EFR32 and the VCOM port, depending on placement of the 0 Ω resistor.

It is also recommended to add a 1k ohm series resistor between the NCP and Host on the NCP RESET signal.

### 6.3 3-wire SPI PTI

When utilizing a high-speed PHY like the BLE 2Mbps PHY, it is recommended that the customer use 3-wire SPI PTI rather than 2-wire UART PTI. However, 3-wire PTI is not supported via the Mini Simplicity Interface so the Simplicity Interface needs to be used to access the 3rd PTI pin (FRC\_DCLK).



## 7. Related Documentation

AN124: Pin Sharing Techniques for the C2 Interface:

<https://www.silabs.com/documents/public/application-notes/AN124.pdf>

AN127: FLASH Programming via the C2 Interface:

<https://www.silabs.com/documents/public/application-notes/AN127.pdf>

AN105: Programming FLASH through the JTAG Interface:

<https://www.silabs.com/documents/public/application-notes/an105.pdf>

AN0062: Programming Internal Flash Over the Serial Wire Debug Interface:

<https://www.silabs.com/documents/public/application-notes/an0062.pdf>

AN1011: Standalone Programmer via the SWD Interface:

<https://www.silabs.com/documents/public/application-notes/AN1011-efm32-standalone-programmer.pdf>

AN136: Silicon Labs Production Programming Options:

<https://www.silabs.com/documents/public/application-notes/AN136-production-programming-options.pdf>

AN1222: Production Programming of Series 2 Devices:

<https://www.silabs.com/documents/public/application-notes/an1222-efr32xg2x-production-programming.pdf>

AN0043: EFM32 Debug and Trace:

<https://www.silabs.com/documents/public/application-notes/AN0043.pdf>

AN961: Bringing Up Customer Nodes for the Mighty Gecko and Flex Gecko Families:

<https://www.silabs.com/documents/public/application-notes/an961-custom-nodes-efr32.pdf>

UG162: Simplicity Commander Reference Guide:

<https://www.silabs.com/documents/public/user-guides/ug162-simplicity-commander-reference-guide.pdf>

## 8. Revision History

### Revision 0.9

August, 2021

- Added VTARGET note to [5.1.2 Connector Pin-Out \(Cortex\)](#) section.

### Revision 0.8

May, 2021

- Edits to the Debug Connector Pin Descriptions Table
- Edits to the Tag-Connect 6-pin Interface section
- Edits to Special Considerations IOVDD Note section
- Edits to Special Considerations NCP section

### Revision 0.7

October, 2020

- Added Device Compatibility section
- Edits to Special Considerations section to further clarify IOVDD scenario
- Added Revision History section
- Added more related documentation links

### Revision 0.6

February, 2018

- Edits to Special Considerations section

### Revision 0.5

November, 2017

- Edits to Special Considerations section

### Revision 0.4

December, 2016

- Added Special Considerations section

### Revision 0.3

July, 2016

- Title change from "Mini Simplicity Connector Interface" to "Debugging and Programming Interfaces for Custom Designs"
- Content changes to cover all STK and WSTK programming interfaces

### Revision 0.2

February, 2016

- Initial public release

### Revision 0.1

December, 2015

- Initial release, internal only

# Simplicity Studio

One-click access to MCU and wireless tools, documentation, software, source code libraries & more. Available for Windows, Mac and Linux!



**IoT Portfolio**  
[www.silabs.com/IoT](http://www.silabs.com/IoT)



**SW/HW**  
[www.silabs.com/simplicity](http://www.silabs.com/simplicity)



**Quality**  
[www.silabs.com/quality](http://www.silabs.com/quality)



**Support & Community**  
[www.silabs.com/community](http://www.silabs.com/community)

## Disclaimer

Silicon Labs intends to provide customers with the latest, accurate, and in-depth documentation of all peripherals and modules available for system and software implementers using or intending to use the Silicon Labs products. Characterization data, available modules and peripherals, memory sizes and memory addresses refer to each specific device, and "Typical" parameters provided can and do vary in different applications. Application examples described herein are for illustrative purposes only. Silicon Labs reserves the right to make changes without further notice to the product information, specifications, and descriptions herein, and does not give warranties as to the accuracy or completeness of the included information. Without prior notification, Silicon Labs may update product firmware during the manufacturing process for security or reliability reasons. Such changes will not alter the specifications or the performance of the product. Silicon Labs shall have no liability for the consequences of use of the information supplied in this document. This document does not imply or expressly grant any license to design or fabricate any integrated circuits. The products are not designed or authorized to be used within any FDA Class III devices, applications for which FDA premarket approval is required or Life Support Systems without the specific written consent of Silicon Labs. A "Life Support System" is any product or system intended to support or sustain life and/or health, which, if it fails, can be reasonably expected to result in significant personal injury or death. Silicon Labs products are not designed or authorized for military applications. Silicon Labs products shall under no circumstances be used in weapons of mass destruction including (but not limited to) nuclear, biological or chemical weapons, or missiles capable of delivering such weapons. Silicon Labs disclaims all express and implied warranties and shall not be responsible or liable for any injuries or damages related to use of a Silicon Labs product in such unauthorized applications.

**Note: This content may contain offensive terminology that is now obsolete. Silicon Labs is replacing these terms with inclusive language wherever possible. For more information, visit [www.silabs.com/about-us/inclusive-lexicon-project](http://www.silabs.com/about-us/inclusive-lexicon-project)**

## Trademark Information

Silicon Laboratories Inc., Silicon Laboratories®, Silicon Labs®, SiLabs® and the Silicon Labs logo®, Bluegiga®, Bluegiga Logo®, Clockbuilder®, CMEMS®, DSPLL®, EFM®, EFM32®, EFR®, Ember®, Energy Micro, Energy Micro logo and combinations thereof, "the world's most energy friendly microcontrollers", Ember®, EZLink®, EZRadio®, EZRadioPRO®, Gecko®, Gecko OS, Gecko OS Studio, ISOModem®, Precision32®, ProSLIC®, Simplicity Studio®, SiPHY®, Telegesis, the Telegesis Logo®, USBXpress®, Zentri, the Zentri logo and Zentri DMS, Z-Wave®, and others are trademarks or registered trademarks of Silicon Labs. ARM, CORTEX, Cortex-M3 and THUMB are trademarks or registered trademarks of ARM Holdings. Keil is a registered trademark of ARM Limited. Wi-Fi is a registered trademark of the Wi-Fi Alliance. All other products or brand names mentioned herein are trademarks of their respective holders.



Silicon Laboratories Inc.  
400 West Cesar Chavez  
Austin, TX 78701  
USA

[www.silabs.com](http://www.silabs.com)